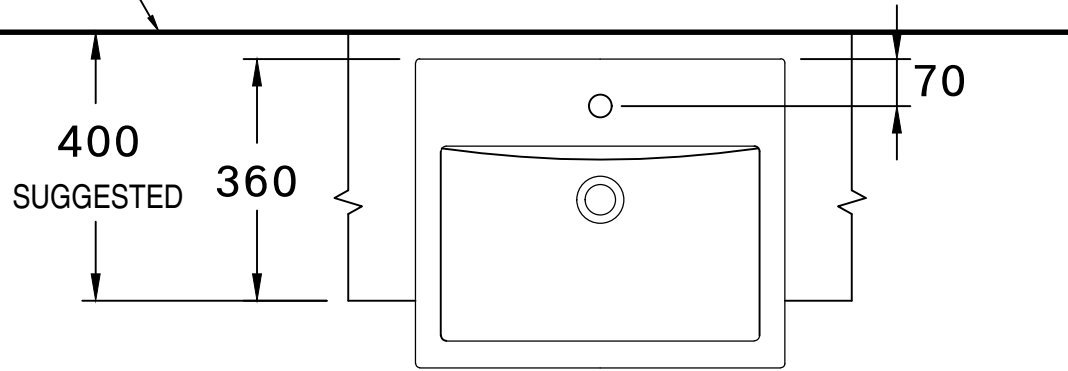
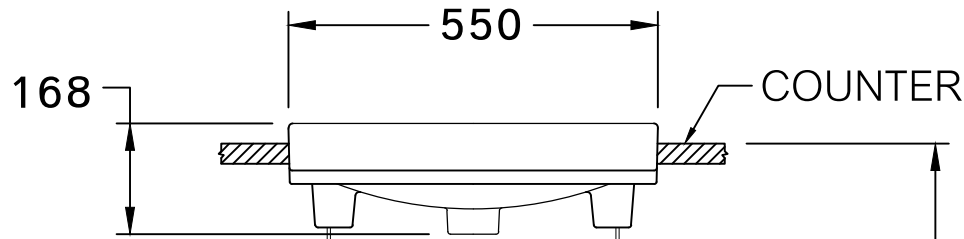


FINISHED WALL



DRAWING FOR CATALOG	
NAME	VIVA SEMI-RECESSED
CODE	C-02460
DATE	26/07/60

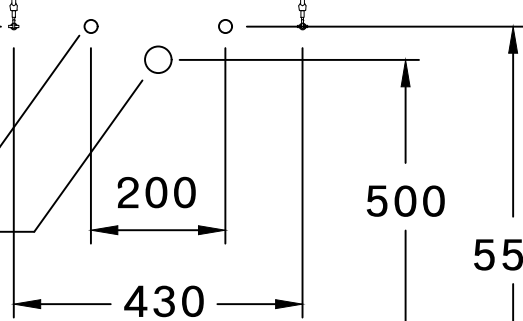


TURN BUCKLE HOLE

INNER THREADED
WATER SUPPLY PIPE $\varnothing 1/2"$

DRAINAGE PIPE $\varnothing 1 1/2"$

FINISHED FLOOR



FINISHED WALL

