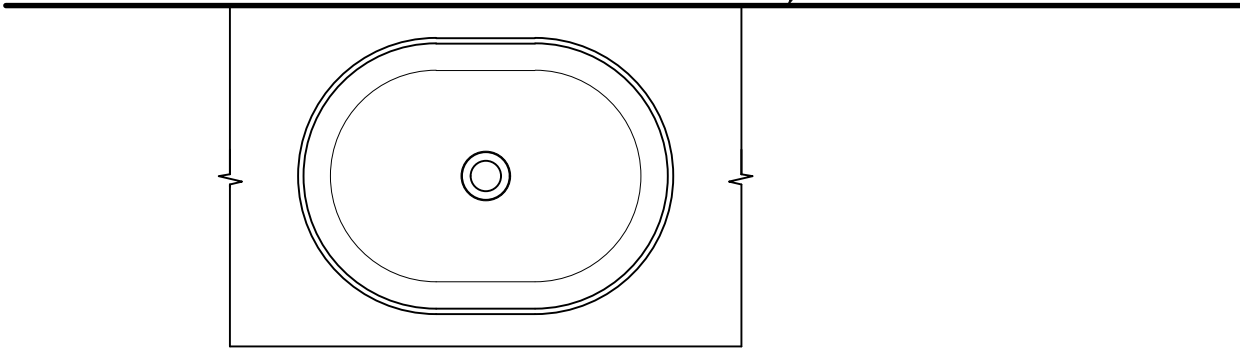


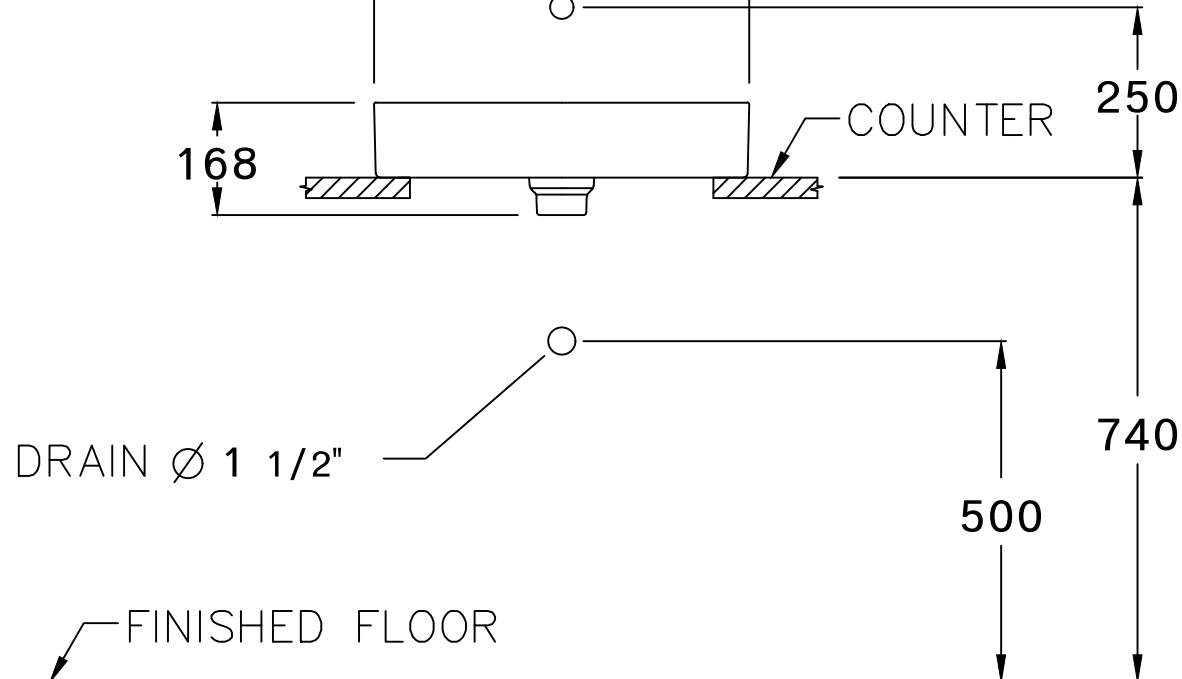
FINISHED FLOOR



DRAWING FOR CATALOG

NAME	Sensation-Capsule Basin
CODE	C-003437
DATE	22/09/60

WATER SUPPLY  $\varnothing$  1/2"



FINISHED WALL

