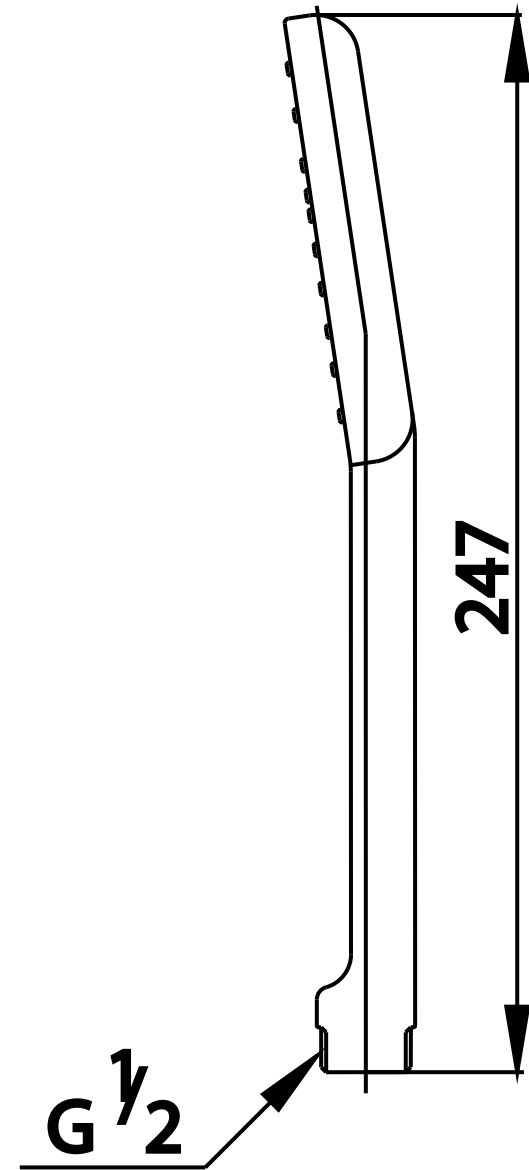


**HAND SHOWER SET
 Z10 (HM)**



**HAND SHOWER SET
 Z10V (HM)**